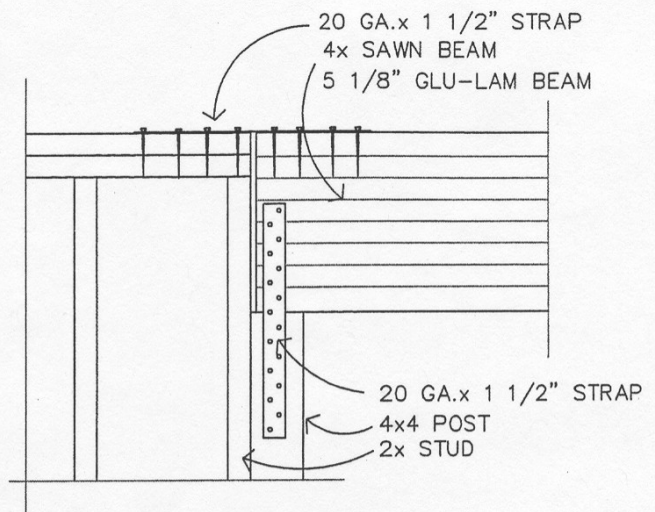
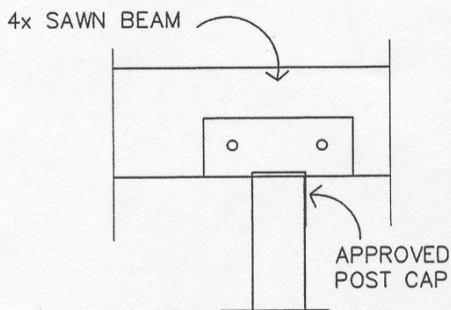


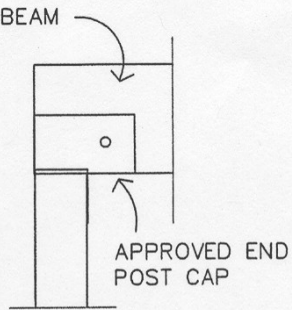
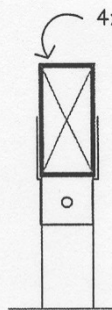
BEAM TO MASONRY  
WALL CONNECTION



BEAM TO FRAME  
WALL CONNECTION



POST AND BEAM



END POST AND BEAM

## BEAM CONNECTIONS