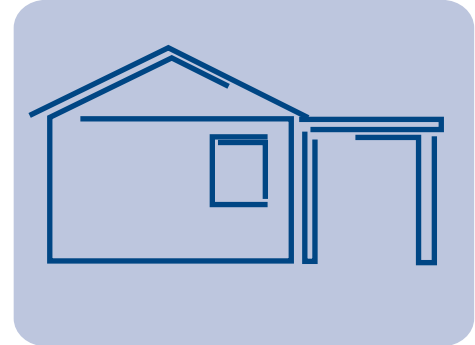
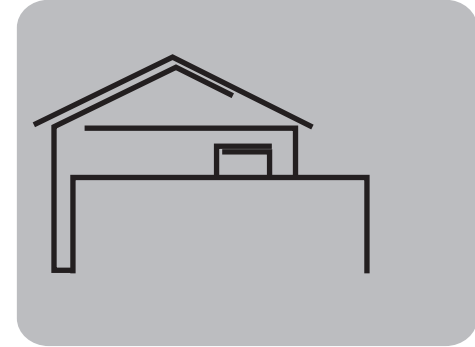


**Attached
Residential
Patio Cover
Details**





CITY OF SCOTTSDALE SUBMITTAL REQUIREMENTS FOR AN ATTACHED RESIDENTIAL PATIO COVER

This information covers the basic requirements for the construction or replacement or a residential patio cover for single-family residence. A building permit is required for any attached addition to the residence including the construction of an attached patio cover or for the repair and replacement or an existing patio cover. Any electrical that is added to an existing patio cover also requires a permit. This should not be considered as a complete list of code requirements. Inspections must be passed before the work is considered completed by the City of Scottsdale.

A. DEFINITIONS

A patio cover is a one-story structure, not exceeding 12 feet in height, attached to the existing residence and is entirely open on two or more sides. Patio covers shall be used only for recreational and outdoor living purposes.

B. LOCATION

The location of the patio cover must meet the setback requirements for your property zoning. A copy of the City of Scottsdale standard zoning requirements is included. If your property is located in a planned community development with amended standards or if you do not know your zoning please contact the Planning and Development Services Department at 480-312-2500. **NOTE:** setbacks are measured from property lines.

C. PERMIT AND PLAN REQUIREMENTS

- Plot plan-provide a plot plan (see attached example) showing the streets, property lines, lot dimensions, location of the existing house on the lot and the location of the new patio cover. Provide the setback dimensions from property lines and any existing structures that may be adjacent to the building area. You may check with the City Records Department (480-312-2356) to see if there is an existing site plan on file for your property. If one is not available, you can get a copy of your subdivision lot showing the lot dimensions and any easements that may be on your property.
- Building plans-the attached building plans are for your use. You cannot exceed the building dimensions that are shown. Provide the actual dimensions and height of the building that you intend to build and label the use.

D. INSPECTION REQUIREMENTS

You will be provided an inspection card that will list and detail the required inspections. The following list is for your information and may vary depending on what you will be including in your building.

- A miscellaneous footing inspection.
- A rough framing inspection NOTE: if you are providing electrical you will also need a rough electrical inspection.
- Wall board/drywall inspection (if being installed)
- A final inspection for framing and electrical (if applicable)

Phone Numbers:

Inspection Services	480-312-5750
Development Services- Planning and Zoning Division	480-312-2500
Automated Inspection Request Line	480-312-5796

ABBREVIATIONS:

W/N=WITHIN

O.C=ONCENTER

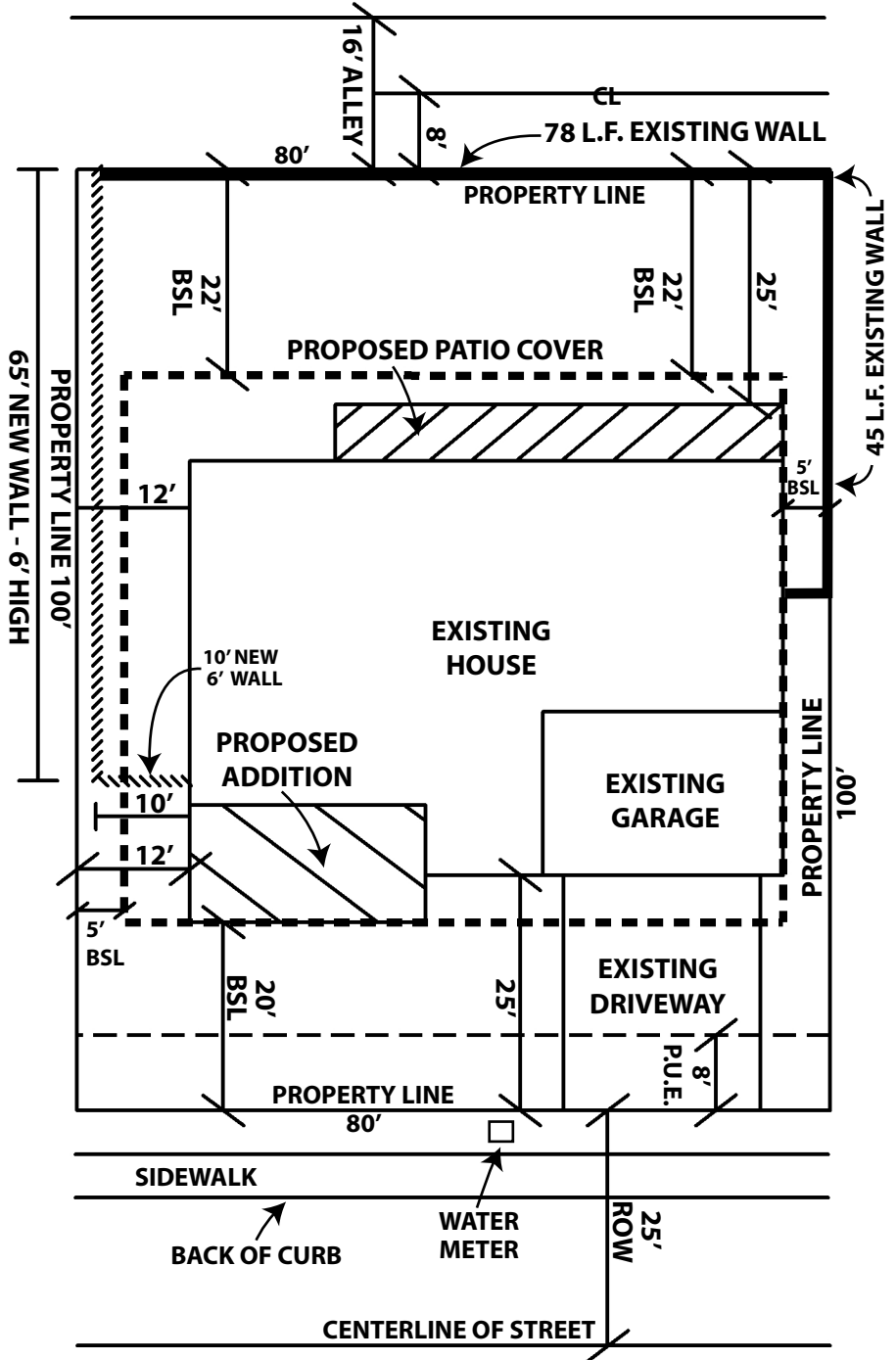
PRESS.=PRESSURE TREATED

P.U.E.=PUBLIC UTILITY EASEMENT

SITE PLAN

****EXAMPLE ONLY****

ADDRESS:
APN: XXX-XX-XXXX
Q.S.: XX-XX
SUBDIVISION:
LOT #:
ZONING:
LOT AREA: 8,000 SQ FT
EXISTING:
HOUSE: 2,143.26 SQ FT
GARAGE: 443.29 SQ FT
PROPOSED:
PATIO: 284.05 SQ FT
WALL: 75 LN FT
ADDITION: 311.58 SQ FT



PLEASE NOTE:

- SITE PLAN MUST MATCH CONFIGURATION FOR YOUR LOT AND MUST BE SCALED
- IF PROPOSED WALL IS ON THE PROPERTY LINE, MUST PROVIDE NEIGHBORING PROPERTY OWNER'S WRITTEN AUTHORIZATION
- IF PROPOSED WALL IS IN A PUBLIC UTILITY EASEMENT, WRITTEN AUTHORIZATION IS REQUIRED FROM ALL UTILITY COMPANIES

PROVIDE 3 COPIES OF SITE PLAN

FEMA BLOCK

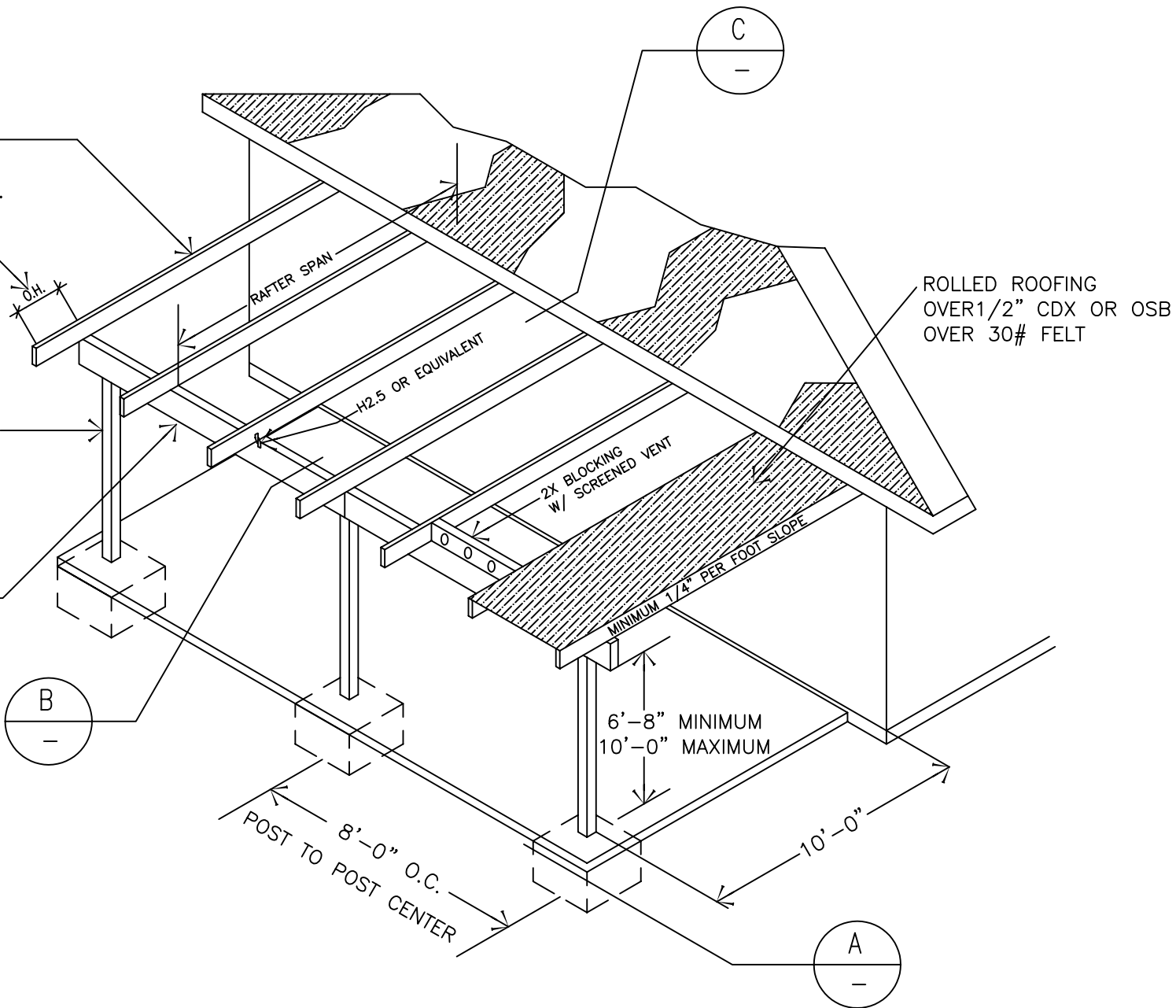
Community Number	Panel Number	Panel Date	Suffix	FIRM Date	FIRM Zone	Base Flood Elevation (AO Zone, use depth)
045012						

10'-0" MAXIMUM SPAN
2 X 6 DOUG-FIR(D.F.)
#2 OR BETTER @ 2'-0".

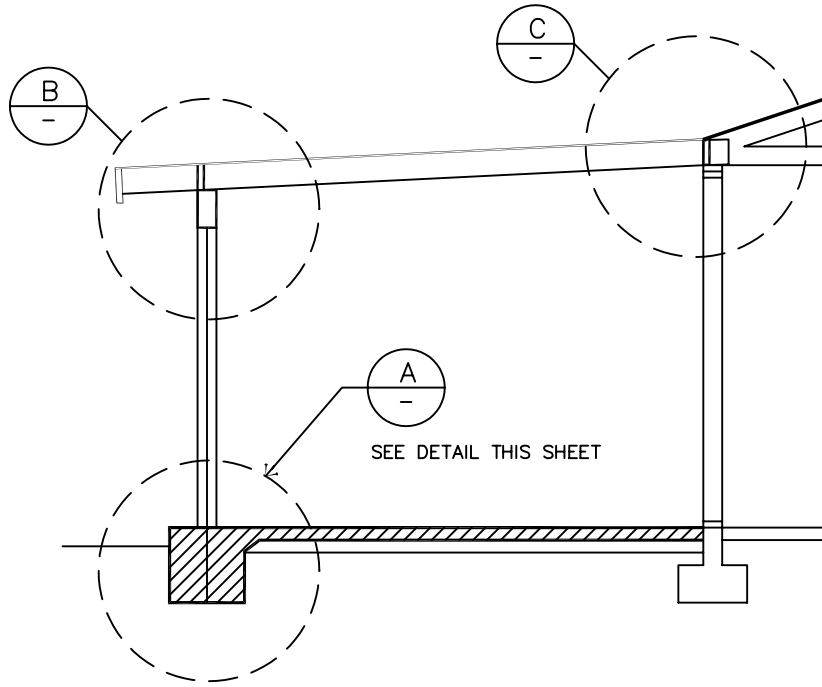
2'-0" MAX.
OVERHANG

4 X 4 POST
D.F. #2 @
8'-0" O.C.

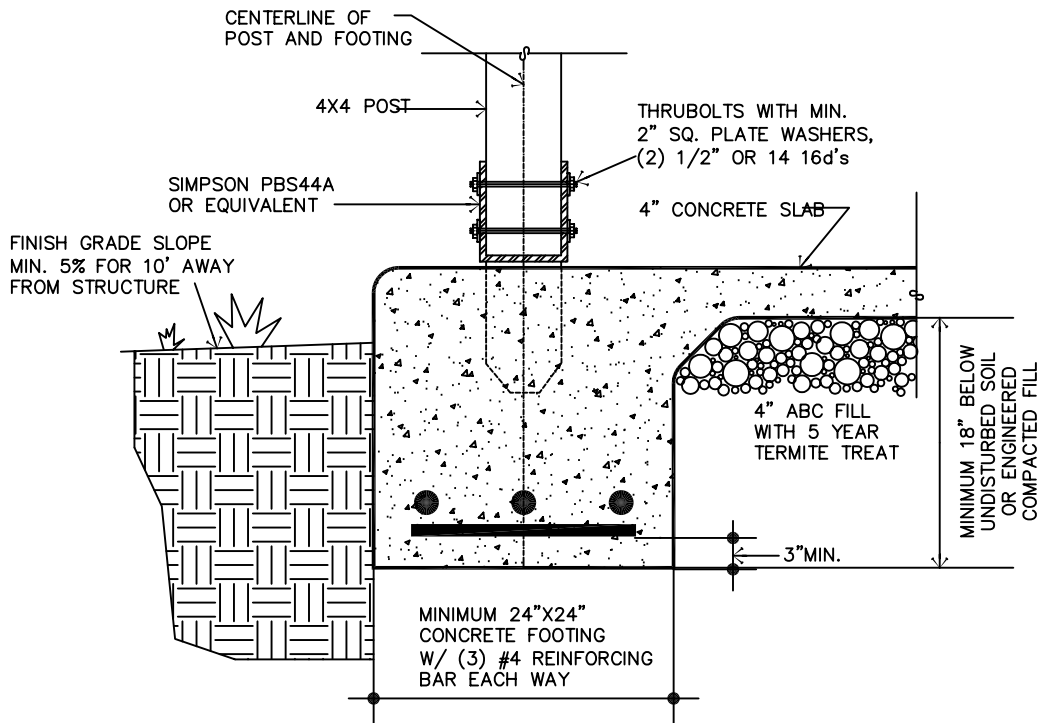
4 X 8 BEAM
D.F. #2



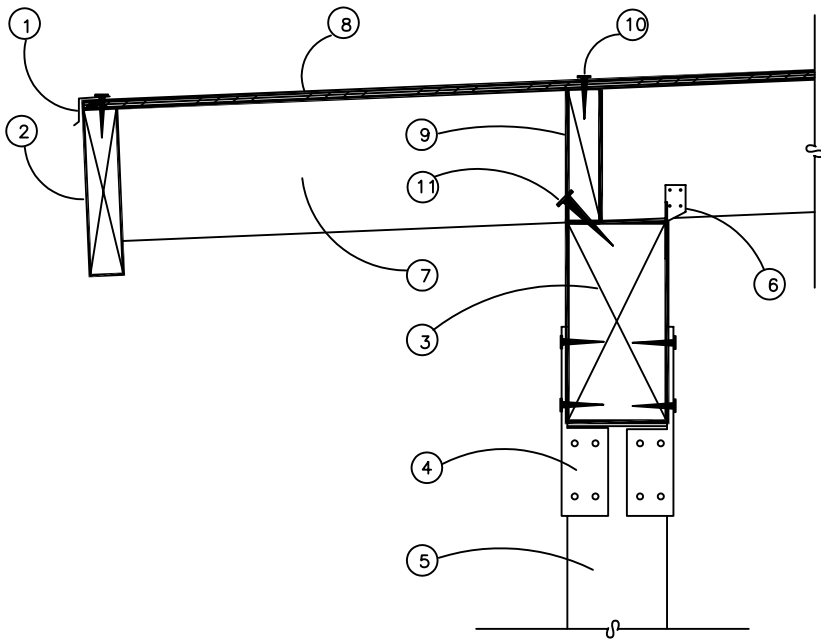
PATIO COVER



PATIO KEY SECTION

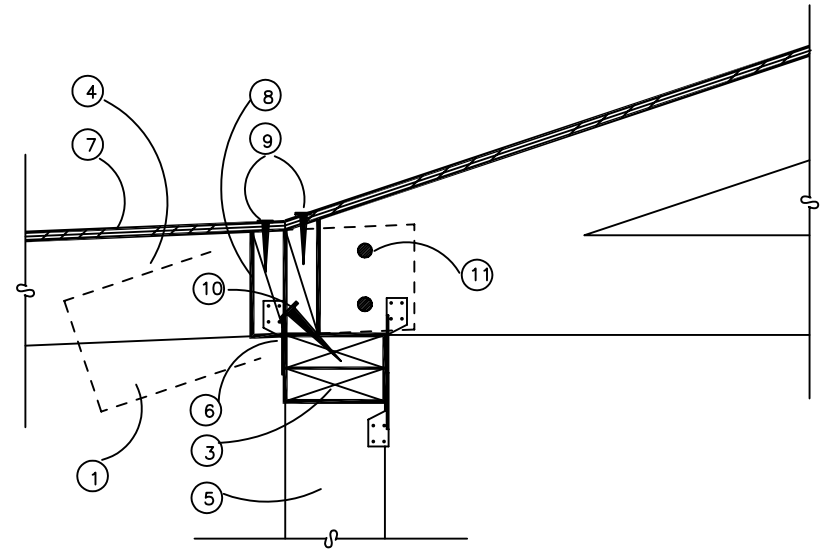


PATIO POST FOOTING



- ① GALVANIZED IRON DRIP EDGE
- ② 2 X 8 FASCIA
- ③ PATIO BEAM, SEE PLAN FOR SIZE
- ④ PC44 OR EQUIVALENT
- ⑤ POST, SEE PLAN FOR SIZE
- ⑥ H2.5 @ EA. ROOF RAFTER
- ⑦ PATIO RAFTER, SEE PLAN FOR SIZE & SPACING
- ⑧ 1/2" CDX PLYWOOD SHEATHING
- ⑨ 2 x SOLID BLOCKING
- ⑩ EDGE NAILING 8d @ 6" O/C MIN.
- ⑪ 3-16d/BAY TOENAILING TO TOP PLATE

ⓑ PATIO BEAM CONNECTION



- ① CUT OVERHANG OFF, FLUSH W/ TOP PLATE
- ② NOT USED
- ③ DOUBLE TOP PLATE
- ④ NEW JOISTS BEARING ON TOP PLATE, SEE PLAN FOR SIZE
- ⑤ EXISTING STUD WALL
- ⑥ H2.5@ EA. ROOF RAFTER
- ⑦ 1/2" CDX PLYWOOD SHEATHING
- ⑧ 2 x SOLID BLOCKING
- ⑨ EDGE NAILING 8d @ 6" O/C MIN.
- ⑩ 3-16d/BAY TOENAILING TO TOP PLATE
- ⑪ MINIMUM TWO 10d NAIL

ⓒ PATIO ROOF TO EXISTING HOUSE



**INTERPRETATIONS & APPLICATIONS
OF BUILDING CODES & REGULATIONS #88-9**

CODE SECTION : IRC R317.2.1, Appendix H

05/10/96 rev. 9/16/2003

SUBJECT : SINGLE-FAMILY PATIO COVERS

All patio covers shall be protected with a one-hour fire-resistive wall under the following conditions:

1. Combustible patio covers located less than 3 feet from an adjacent property line.
2. Non-combustible patio covers located less than 1 foot, 6 inches from an adjacent property line.

Where the one-hour fire-resistive wall is required, a one-hour roof-ceiling assembly may be substituted in the following manner :

- 1) Where the roof-ceiling framing members are parallel to the one-hour wall, the one-hour roof-ceiling assembly shall extend at least 5 feet from wall.
- 2) Where the roof-ceiling framing members are perpendicular to the one-hour wall, the entire span of such framing shall be of not less than one-hour fire-resistive construction.
- 3) Openings in the roof shall not be located within 5 feet of the property line.

Nailing Schedule

Include the Nailing Schedule in the Final Plans.

Building Elements	# and Type of Fastener	Spacing of Fasteners
Joist to sill or girder, toe nail	3-8d	
Sole plate to joist or blocking, face nail	16d	16 - o.c.
Top or sole plate to stud, end nail	2-16d	
Stud to sole plate, toe nail	3-8d or 2-16d	
Double studs, face nail	10d	24 - o.c.
Double top plates, face nail	10d	24 - o.c.
Sole plate to joist or blocking at braced wall panels	3-16d	16 - o.c.
Double top plates, minimum 48-inch offset of end joints, face nail in lapped area	8-16d	
Blocking between joists or rafters to top plate, toe nail	3-8d	
Rim joist to top plate, toe nail	8d	6 - o.c.
Top plates, laps at corners and intersections, face nail	2-10d	
Built-up header, two pieces with ½ - spacer Edge	16d	16 - o.c. each
Ceiling joists to plate, toe nail	3-8d	
Continuous header to stud, toe nail	4-8d	
Ceiling joist, laps over partitions, face nail	3-10d	
Ceiling Joist to parallel rafters, face nail	3-10d	
Rafter to plate, toe nail	2-16d	
1x brace to each stud and plate, face nail	2-8d	
Built-up corner studs	10d	24 - o.c.
Roof rafters to ridge, valley to hip rafters toe nail face nail		4-16d 3-16d
Rafter ties to rafters, face	3-8d	

Wood structural panels, subfloor, roof and wall sheathing to framing

	Fastener	edges	intermediate
5/16 – ½	6d common nail (subfloor, wall)	6	12
	8d common nail (roof)	6	12
19/32 – 1	8d common nail	6	12
1 1/8 – 1 ¼	10d common nail or		
	8d deformed nail	6	12
Celluloisc fiberbd Sheathing	1 ½ galv. Roofing nail	3	6

- All nails are smooth-common, box or deformed shanks except where otherwise stated.
- Nails shall be spaced at not more than 6 inches on center at all supports where spans are 48 inches or greater
- Four-foot-by-8-foot or 4-foot-by-9 foot panels shall be applied vertically.

For an online version of the Nailing Schedule, see www.scottsdaleaz.gov/bldgresources/forms.