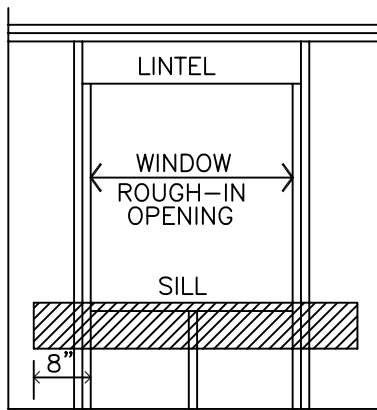
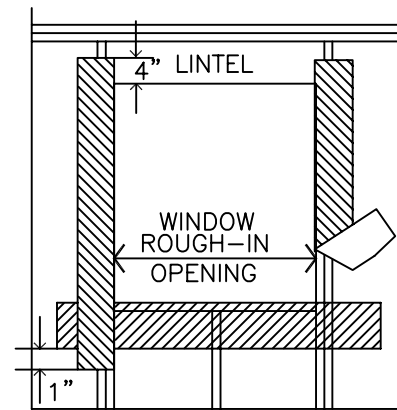


Step 1



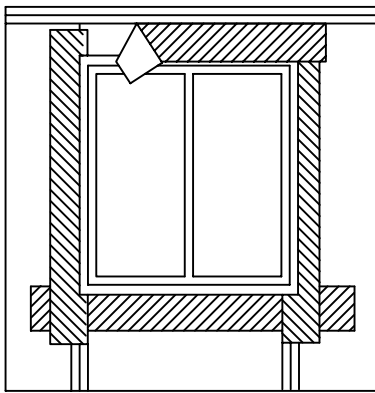
Attach sill strip with top edge level with rough sill; extend beyond edge of rough opening at least 8". Secure all building paper or similar approved flashing material with galvanized nails or power driven staples.

Step 2



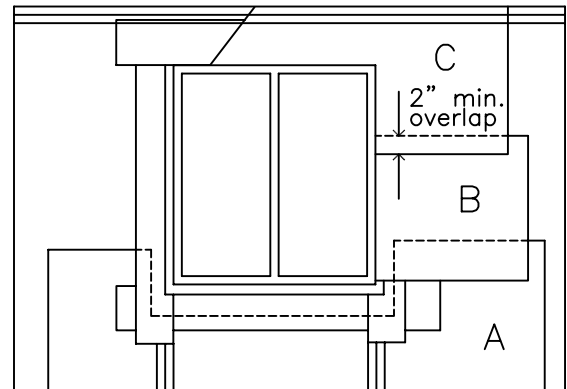
Attach jamb strips with side edge even with rough-jamb framing. Start strip 1" below lower edge of sill strip and extend 4" above lower edge of lintel.

Step 3



Install window into rough opening with sill and jamb flanges over previously installed flashing. Attach head flashing over the window flange.

Step 4



Commencing at the bottom(sole plate) of the wall, lay building paper under sill strip. Cut any excess building paper that may extend above the sill flange line on each side of opening (shown as dashed line). Do not cut building paper horizontally so the paper will lap over the jamb strips. Install successive lines of building paper (B,C,D etc) over jamb and head flanges, lapping each course.

## WINDOW FLASHING DETAIL