

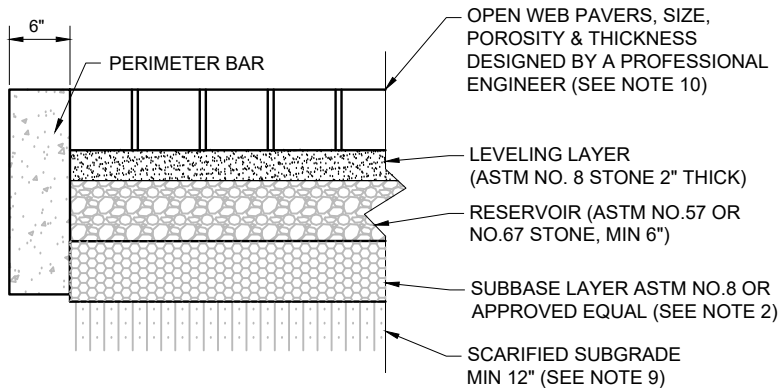
NOTES:

1. AGGREGATE LAYERS SHALL MEET PROPOSED SPECIAL PROVISION 303.
2. GEOSYNTHETIC TO BE USED TO PROTECT PIPES FROM CLOGGING. SEE MAG SPECIFICATION 796.
3. DEPTH OF RESERVOIR LAYER AS SHOWN ON DESIGN PLANS SHOULD BE SIZED TO DRAIN WITHIN 72 HOURS.
4. TOP OF PAVEMENT SHOULD BE DESIGNED TO ACHIEVE 1% MAXIMUM SLOPE IN ANY DIRECTION.
5. WHEN FILTER LAYER IS OMITTED, PROVIDE GEOSYNTHETIC CLASS-A MATERIAL BENEATH RESERVOIR LAYER.
6. UNDERDRAIN REQUIRED FOR LOW PERCOLATING SOILS (SEE SPECIFICATION 622).
7. UNCOMPACTED SUBGRADE FOR AREAS DESIGNED FOR INFILTRATION FEATURES ONLY.
8. GEOSYNTHETIC MATERIAL (SEE SPECIFICATION 796)
9. COMPACTION REQUIREMENTS IF ANY WILL BE DESIGNED BY GEOTECHNICAL ENGINEER.
10. SOLID PAVERS CAN BE USED (OPTIONAL).
11. MINIMUM COVER OVER THE UNDERDRAIN PER MANUFACTURER RECOMMENDATION.

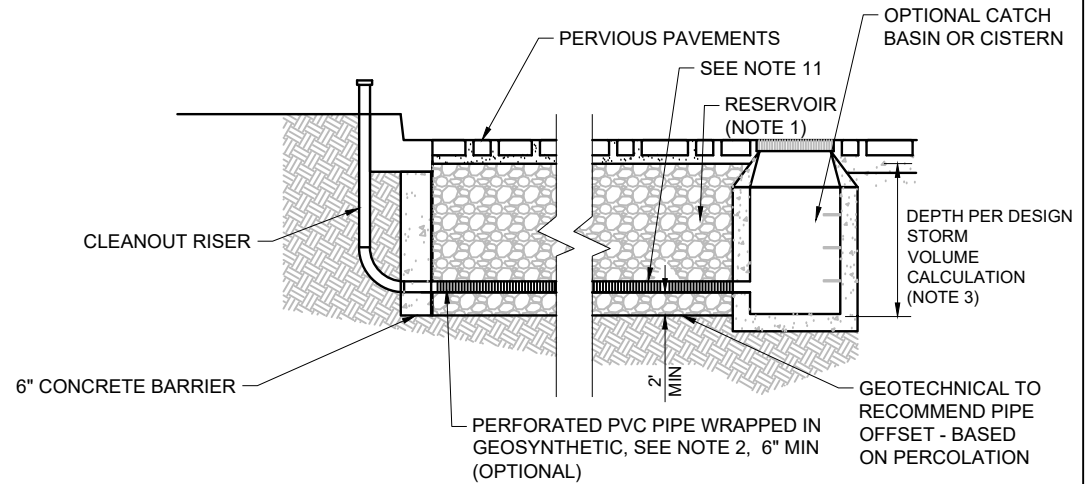
PERVIOUS CONCRETE PAVEMENT

MINIMUM PAVEMENT THICKNESS		
PAVEMENT ITEM	CLASS A	CLASS B
PERVIOUS PORTLAND CEMENT CONCRETE	6"	8"
RESERVOIR LAYER	6", SEE NOTE 3	12", SEE NOTE 3
SUBBASE LAYER	4"	4"

PERVIOUS CONCRETE



PERVIOUS CONCRETE PAVERS



PERMEABLE PAVEMENT WITH UNDERGROUND RESERVOIR AND UNDERDRAIN (OPTIONAL)

DETAIL NO. LID-01	STANDARD DETAIL ENGLISH	PERMEABLE PAVEMENT	REVISED 01-29-2019	DETAIL NO. LID-01
-----------------------------	------------------------------------	---------------------------	-----------------------	-----------------------------