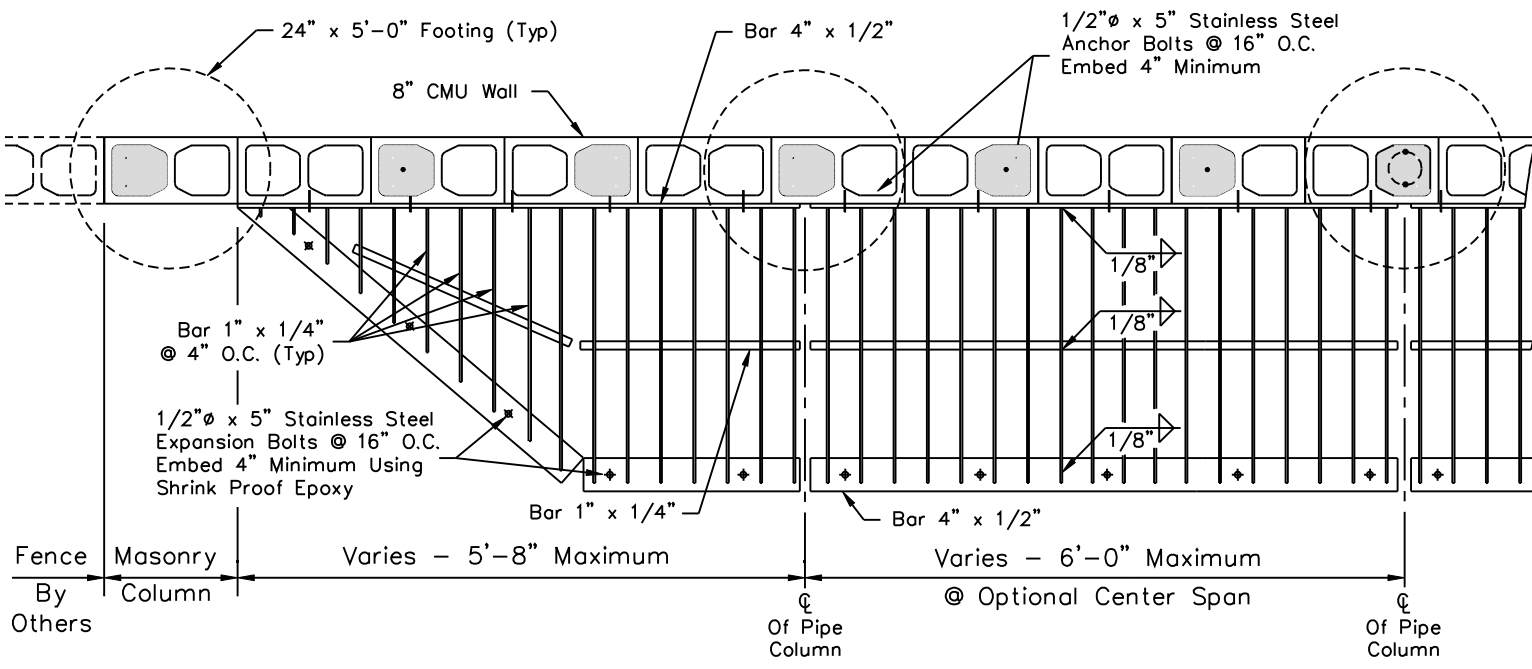


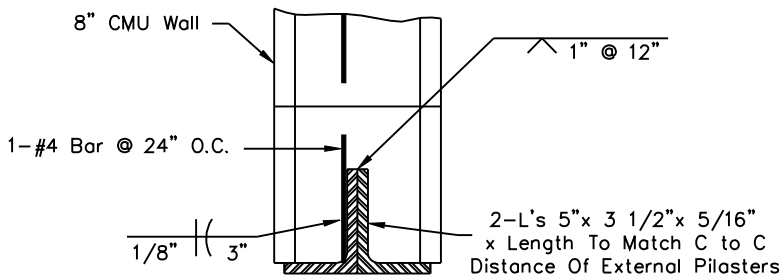
REVISED 5/17/06



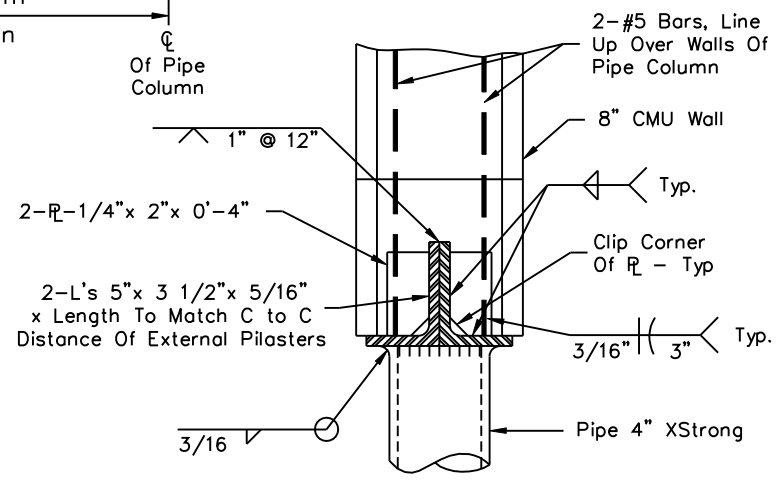
SECTION B-B

GRATE NOTES:

1. Steel Work Shall Conform To Mag Sections 515 And 770.
2. Shop Drawings Are Not Required. Contractor Shall Be Responsible For Correct Fit Between The Trash Rack, Channel And Wall As Constructed In The Field.
3. Shop Prime Steel And Touch-Up Per MAG Section 515.5. Apply A Second Coat After Erection And A Finish Coat Of Alkyd Enamel To Match Wall Finish Color.
4. Grate Required on Private Lots Only. Property Owner Responsible for Cleaning.



SECTION C-C



DETAIL AT PIPE COLUMN

DETAIL NO. **2515-2** **City of Scottsdale Standard Details**

APPROVED BY: **Scottsdale Standards & Specifications Committee**

DRAINAGE GRATE AT BLOCK WALL

SHEET 2 OF 3
DETAIL NO. **2515-2**