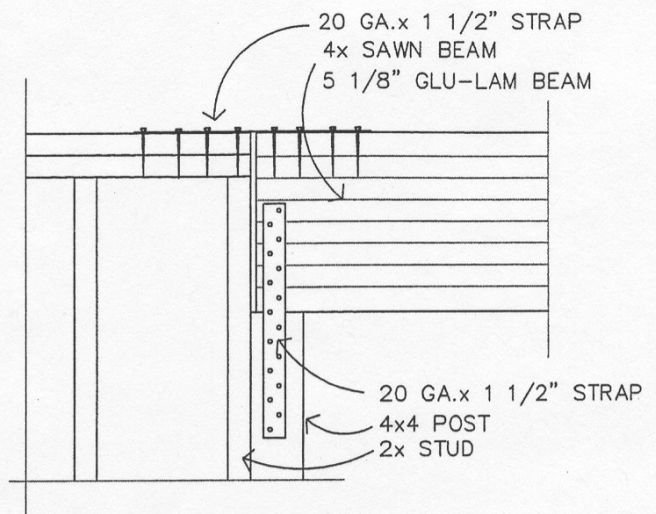
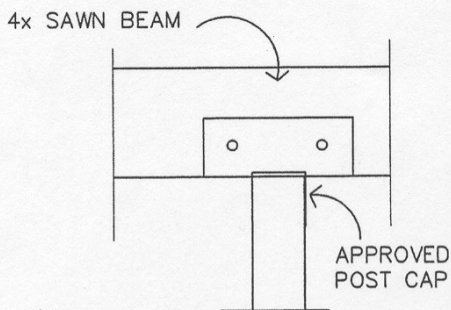


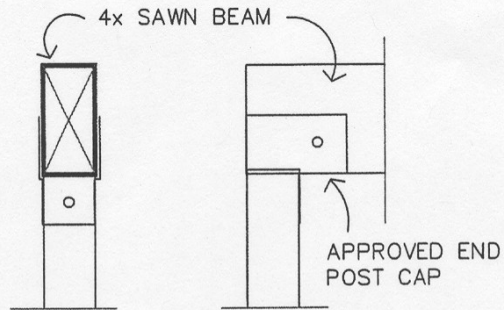
BEAM TO MASONRY
WALL CONNECTION



BEAM TO FRAME
WALL CONNECTION



POST AND BEAM



END POST AND BEAM

BEAM CONNECTIONS