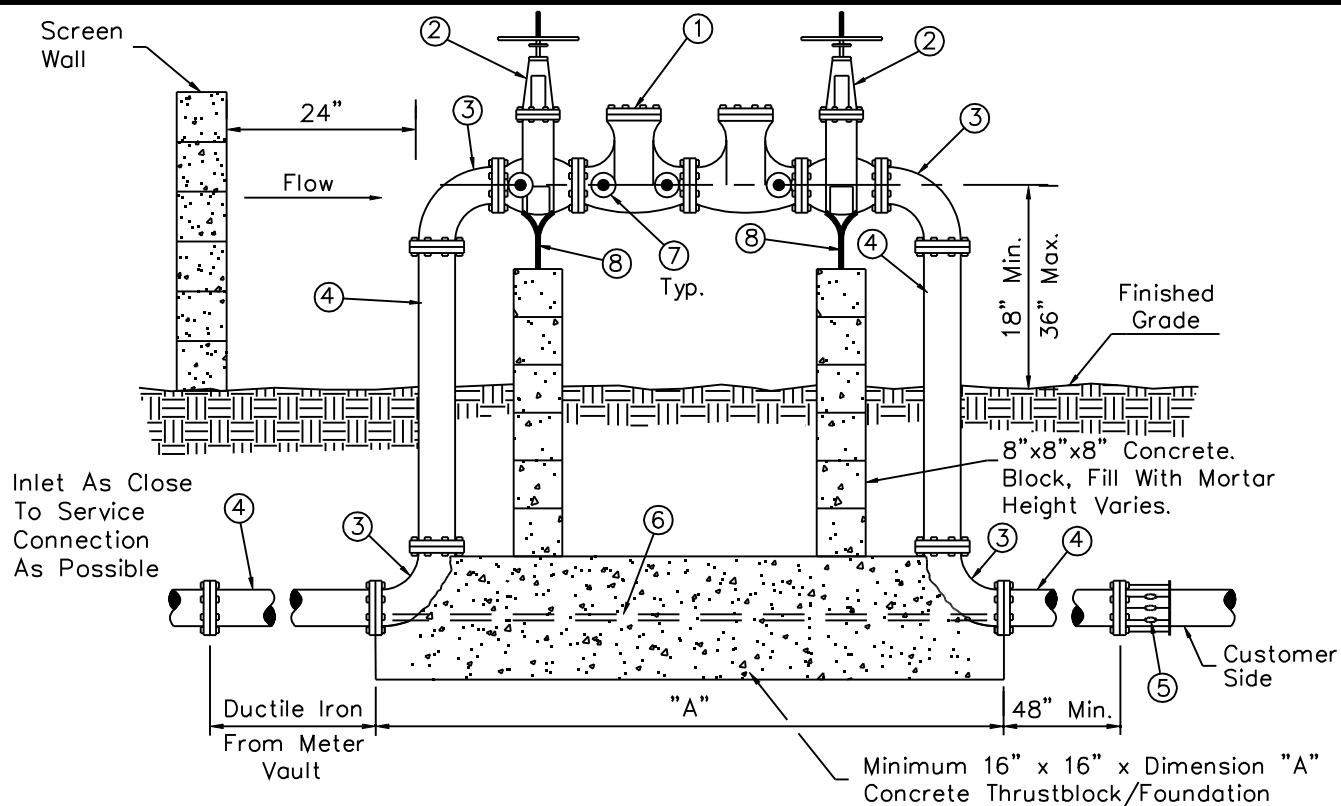


REVISED 5/5/04



GENERAL NOTES

1. Backflow assemblies must be tested by a certified tester that is recognized by the City of Scottsdale.
2. Backflow preventers shall be painted light tan or a color to match the building. Do not paint the name plate or any brass parts on the assembly.
3. For backflow preventers requiring guard posts see Detail 2356. Backflow preventers enclosed by screening shall maintain a 24 inch clearance around the assembly.
4. Finished grade underneath the backflow preventer shall be at 95% compaction.
5. Backflow preventers on fire lines may require tamper switches on the shut off valves. Contact City Of Scottsdale Plan Review, Fire Dept.
6. Call for underground inspection before backfilling trench.
7. Vertical installations of assemblies on fire sprinkler systems are allowed using assemblies approved for use in the vertical position on fire systems.
8. Approvals for backflow assemblies must have Seal Approval from the American Society of Sanitation Engineers. Backflow assemblies installed on fire suppression systems must also have approval from Underwriters Laboratories and/or Factory Mutual Research Corporation.

LIST OF MATERIALS

- | | |
|--|--|
| <p>① Approved double check valve backflow prevention assembly.</p> <p>② Resilient seated gate valve.
O.S. & Y. (fire line connection)
N.R.S. (non fire line)</p> <p>③ 90° ell, Flanged D.I.P. 3" thru 10", Mega Lug or approved equal may be used on underground joints.</p> <p>④ Pipe spool, Flanged D.I.P. 3" thru 10", Mega Lug or approved equal may be used on underground joints.</p> <p>⑤ Flanged adapter (when required)</p> | <p>⑥ 3/4" zinc coated threaded rod, (5/8" rod on 3" to 4" sizes), bolt to flanges as shown, typical both sides.</p> <p>⑦ Test cocks with brass plugs or adaptors with caps installed. (4 required)</p> <p>⑧ Adjustable metal pipe supports and concrete block supports with 1" adjusting rod and nut on assemblies 4" and larger. Install above grade.</p> |
|--|--|

DETAIL NO.
2351

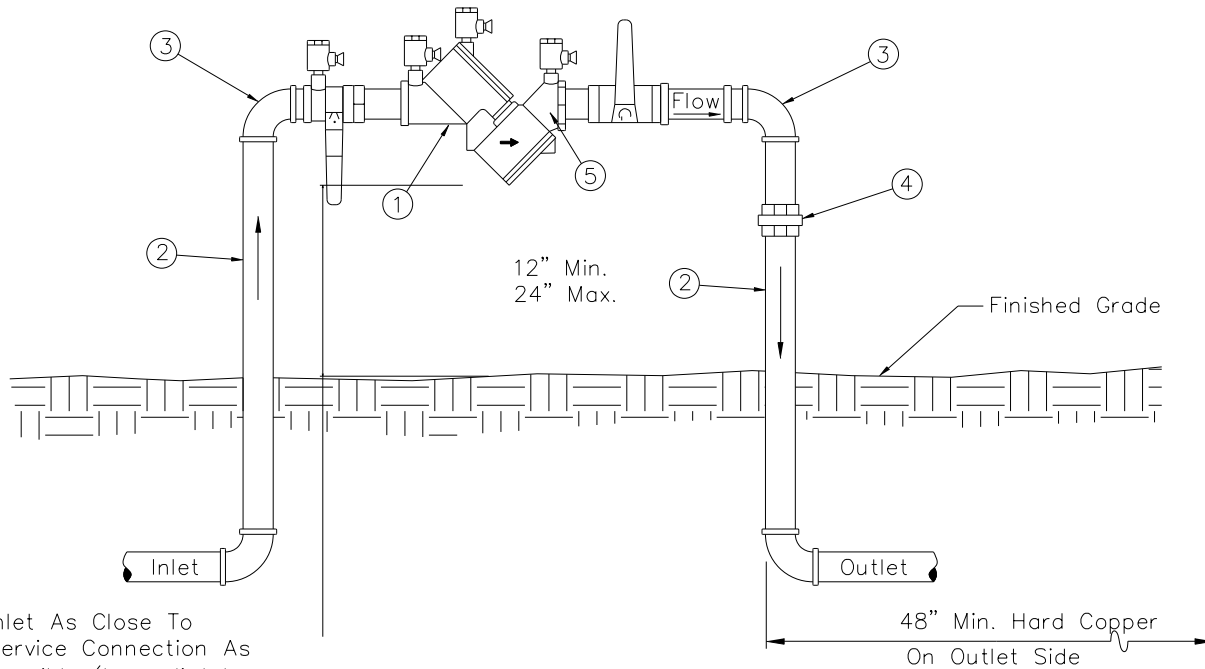
**City of Scottsdale
Standard Details**

APPROVED BY:
**Scottsdale Standards &
Specifications Committee**

**DOUBLE CHECK VALVE BACKFLOW PREVENTION ASSEMBLY
FOR ASSEMBLIES 3 INCHES THRU 10 INCHES**

DETAIL NO.
2351

REVISED 1/19/12



Inlet As Close To Service Connection As Possible (Immediately After Water Meter).
Hard Copper On Inlet Side.

LIST OF MATERIALS

- ① Approved double check valve backflow prevention assembly, ball valves included.
- ② Pipe spool, type "L" hard copper, 3/4" thru 2 1/2".
- ③ 90° ell, copper, 3/4" thru 2 1/2".
- ④ Pipe union, brass or copper.
- ⑤ Test cocks with brass plugs or adaptors with caps installed. (4 required)

GENERAL NOTES

- 1. Backflow assemblies must be tested by a certified tester that is recognized by the City of Scottsdale.
- 2. Copper fittings shall be connected with lead free solder joints or approved equal.
- 3. Finished grade underneath the backflow preventer shall be at 95% compaction.
- 4. All nipples to be copper or brass.
- 5. Inlet / outlet piping must be type "k" hard copper.
- 6. Call for underground inspection before backfilling trench.
- 7. Vertical installations of assemblies on fire sprinkler systems are allowed using assemblies approved for use in the vertical position on fire systems.
- 8. Approvals for backflow assemblies must have Seal Approval from the American Society of Sanitation Engineers. Backflow assemblies installed on fire suppression systems must also have approval from Underwriters Laboratories and/or Factory Mutual Research Corporation.

DETAIL NO.
2352

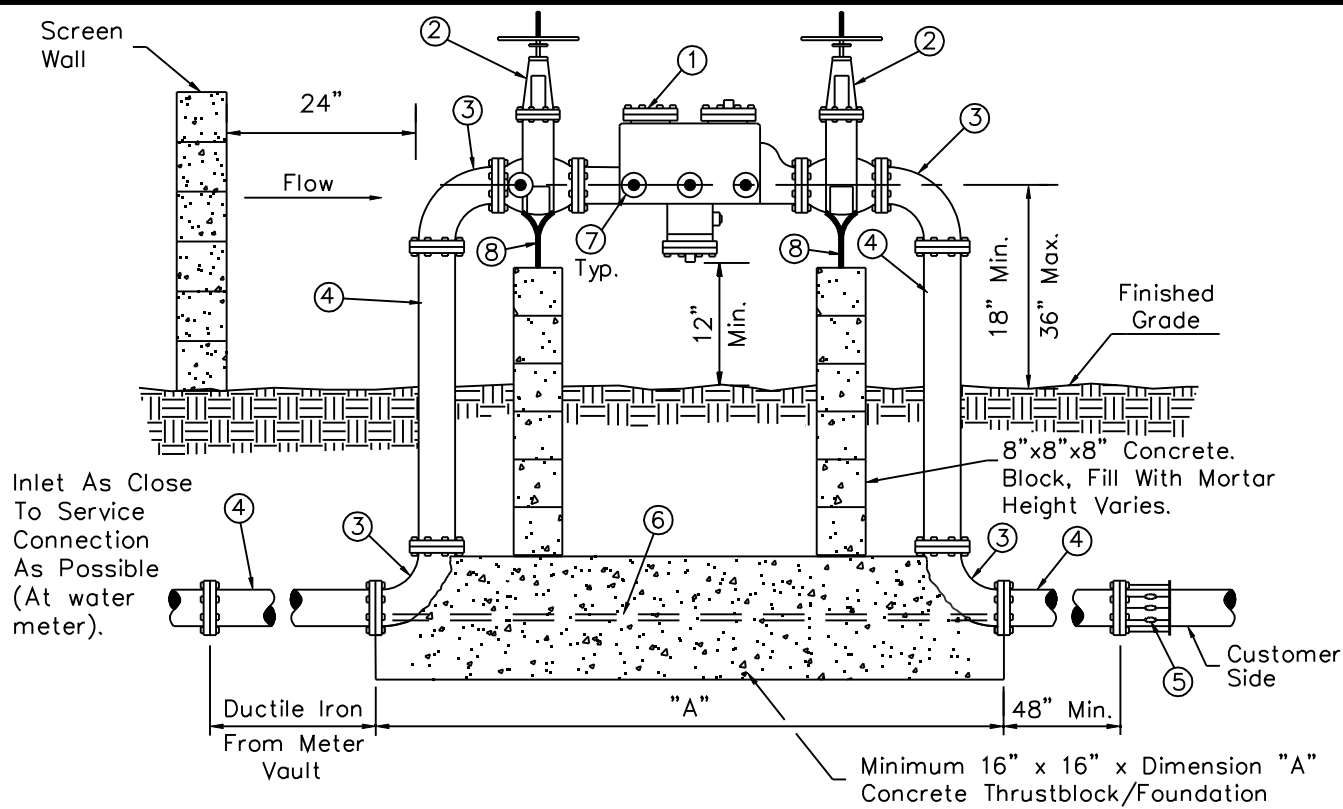
**City of Scottsdale
Standard Details**

APPROVED BY:
**Scottsdale Standards &
Specifications Committee**

**DOUBLE CHECK VALVE BACKFLOW PREVENTION ASSEMBLY
FOR ASSEMBLIES 3/4 INCH THRU 2 1/2 INCHES**

DETAIL NO.
2352

REVISED 5/05/04



GENERAL NOTES

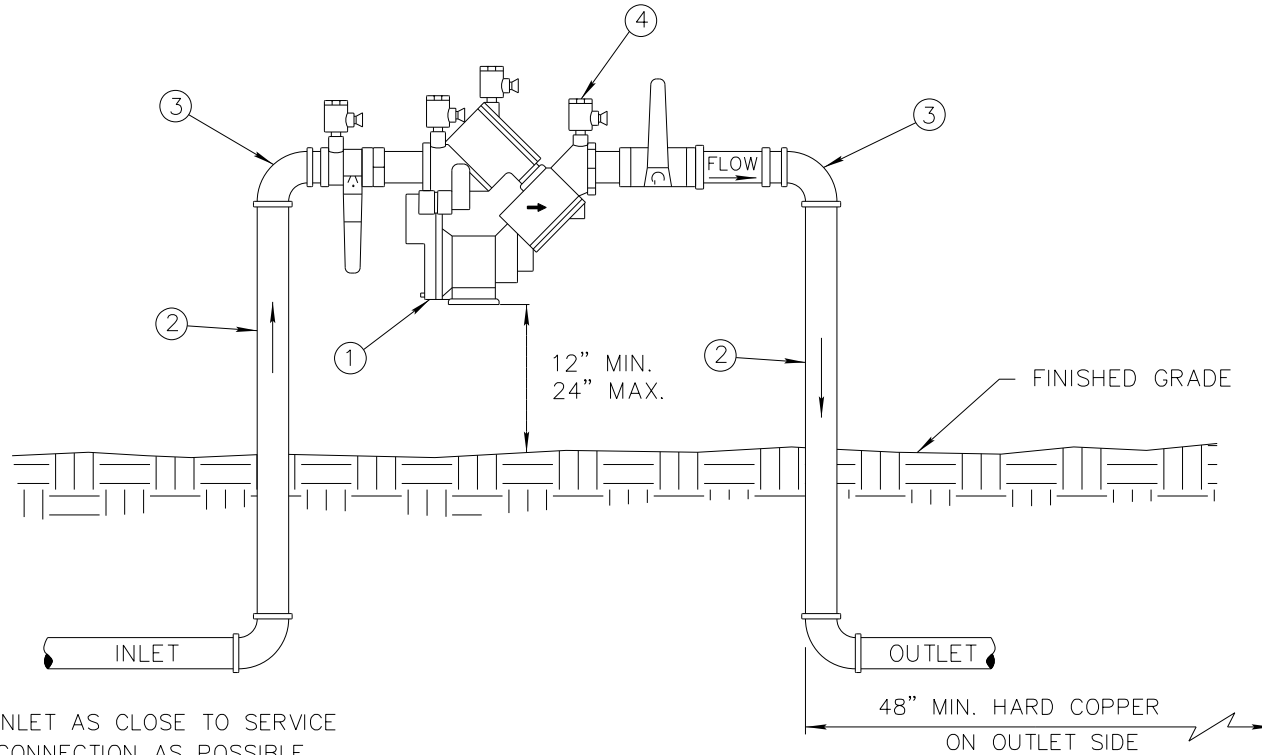
1. Backflow assemblies must be tested by a certified tester that is recognized by the City of Scottsdale.
2. Backflow preventers shall be painted light tan or a color to match the building. Do not paint the name plate or any brass parts on the assembly.
3. For backflow preventers requiring guard posts see Detail 2356. Backflow preventers enclosed by screening shall maintain a 24 inch clearance around the assembly.
4. Finished grade underneath the backflow preventer shall be at 95% compaction.
5. Backflow preventers on fire lines may require tamper switches on the shut off valves. Contact City Of Scottsdale Plan Review, Fire Dept.
6. Call for underground inspection before backfilling trench.
7. Approvals for backflow assemblies must have Seal Approval from the American Society of Sanitation Engineers. Backflow assemblies installed on fire suppression systems must also have approval from Underwriters Laboratories and/or Factory Mutual Research Corporation.

LIST OF MATERIALS

- | | |
|---|--|
| <p>① Approved reduced pressure principle backflow prevention assembly.</p> <p>② Resilient seated gate valve. O.S. & Y. (fire line connection). N.R.S. (non fire line)</p> <p>③ 90° ell. Flanged D.I.P. 3" thru 10", Mega Lug or approved equal may be used on underground joints.</p> <p>④ Pipe spool. Flanged D.I.P. 3" thru 10", Mega Lug or approved equal may be used on underground joints.</p> <p>⑤ Flanged adapter (when required)</p> | <p>⑥ 3/4" zinc coated threaded rod, (5/8" rod on 3" to 4" sizes), bolt to flanges as shown, typical both sides.</p> <p>⑦ Test cocks with brass plugs or adaptors with caps installed. (4 required)</p> <p>⑧ Adjustable metal pipe supports and concrete block supports with 1" adjusting rod and nut on assemblies 4" and larger. Install above grade.</p> |
|---|--|

DETAIL NO. 2353	City of Scottsdale Standard Details	APPROVED BY: Scottsdale Standards & Specifications Committee	REDUCED PRESSURE PRINCIPLE BACKFLOW PREVENTION ASSEMBLY FOR ASSEMBLIES 3 INCHES THRU 10 INCHES	DETAIL NO. 2353
---------------------------	--	--	---	---------------------------

REVISED 5/16/19



INLET AS CLOSE TO SERVICE CONNECTION AS POSSIBLE (IMMEDIATELY AFTER WATER METER).
HARD COPPER ON INLET SIDE.

LIST OF MATERIALS

- ① APPROVED REDUCED PRESSURE PRINCIPLE BACKFLOW PREVENTION ASSEMBLY, BALL VALVES INCLUDED.
- ② PIPE SPOOL, TYPE K HARD COPPER, 3/4" THROUGH 2 1/2".
- ③ 90° ELBOW, COPPER, 3/4" THROUGH 2 1/2".
- ④ TEST COCKS WITH BRASS PLUGS OR ADAPTORS WITH CAPS INSTALLED. (4 REQUIRED)

GENERAL NOTES

- 1. BACKFLOW ASSEMBLIES MUST BE TESTED BY A CERTIFIED TESTER THAT IS RECOGNIZED BY THE CITY OF SCOTTSDALE.
- 2. BACKFLOW ASSEMBLIES SHALL BE FEBCO 825 YA.
- 3. COPPER FITTINGS SHALL BE CONNECTED WITH LEAD FREE SOLDER JOINTS OR APPROVED EQUAL.
- 4. FINISHED GRADE UNDERNEATH THE BACKFLOW PREVENTER SHALL BE AT 95% COMPACTION.
- 5. ALL NIPPLES TO BE COPPER OR BRASS.
- 6. INLET / OUTLET PIPING MUST BE TYPE K HARD COPPER.
- 7. CALL FOR UNDERGROUND INSPECTION BEFORE BACKFILLING TRENCH.
- 8. APPROVALS FOR BACKFLOW ASSEMBLIES MUST HAVE SEAL APPROVAL FROM THE AMERICAN SOCIETY OF SANITATION ENGINEERS. BACKFLOW ASSEMBLIES INSTALLED ON FIRE SUPPRESSION SYSTEMS MUST ALSO HAVE APPROVAL FROM UNDERWRITERS LABORATORIES AND/OR FACTORY MUTUAL RESEARCH CORPORATION.

DETAIL NO.
2354

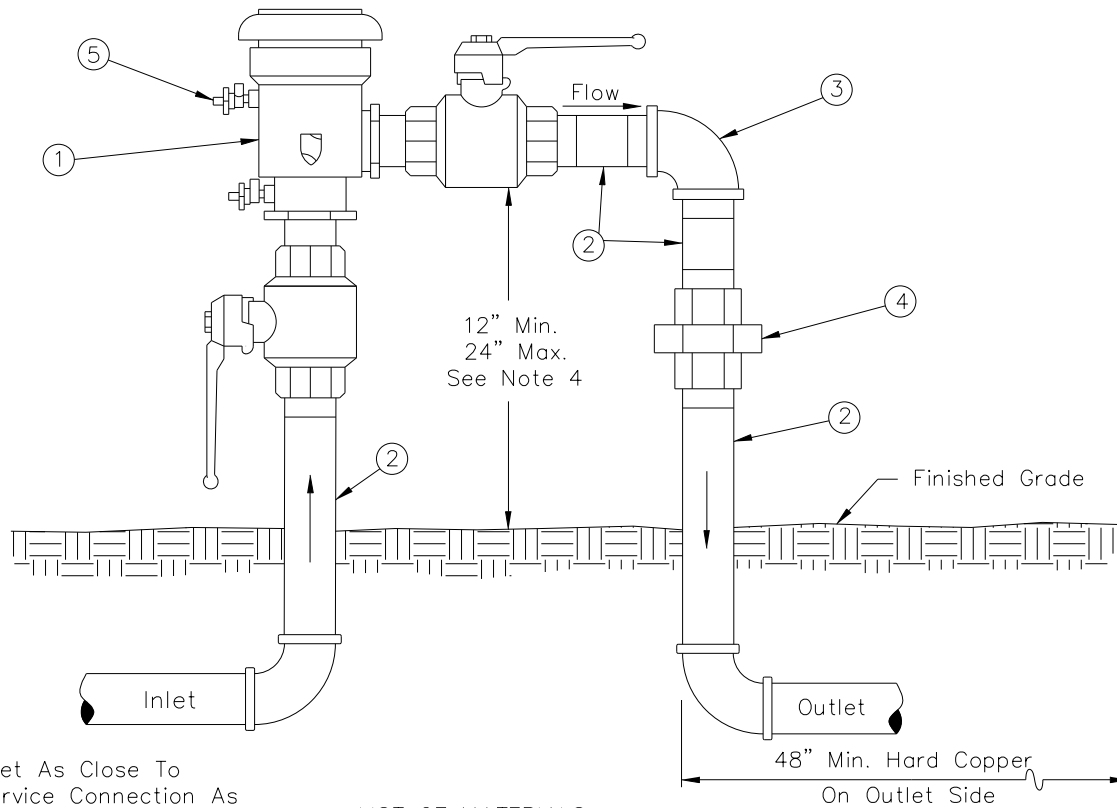
**City of Scottsdale
Standard Details**

APPROVED BY:
**Scottsdale Standards &
Specifications Committee**

**REDUCED PRESSURE PRINCIPLE BACKFLOW PREVENTION
ASSEMBLY FOR 3/4 INCH THROUGH 2 1/2 INCHES**

DETAIL NO.
2354

REVISED 1/19/12



Inlet As Close To
Service Connection As
Possible (Immediately
After Water Meter).
Hard Copper On Inlet Side.

LIST OF MATERIALS

- ① Approved pressure vacuum breaker assembly, ball valves included.
- ② Pipe spool, type "L" hard copper, 1/2" thru 2".
- ③ 90° ell, copper, 1/2" thru 2".
- ④ Pipe union, brass or copper.
- ⑤ Test cocks with brass plugs or adaptors with caps installed. (2 required)

GENERAL NOTES

- 1. Backflow assemblies must be tested by a certified tester that is recognized by the City of Scottsdale.
- 2. Pressure vacuum breakers must be installed at least 12" above all downstream piping.
- 3. If this distance exceeds 24 inches, a reduced pressure principle backflow prevention assembly must be utilized. See Detail 2354.
- 4. Copper fittings shall be connected with lead free solder joints or approved equal.
- 5. Finished grade underneath the backflow preventer shall be at 95% compaction.
- 6. All nipples to be copper or brass.
- 7. Inlet / Outlet piping must be type "K" hard copper.
- 8. Call for underground inspection before backfilling trench.
- 9. Approvals for backflow assemblies must have Seal Approval from the American Society of Sanitation Engineers.

DETAIL NO.
2355

**City of Scottsdale
Standard Details**

APPROVED BY:
**Scottsdale Standards &
Specifications Committee**

**PRESSURE VACUUM BREAKER ASSEMBLY
FOR ASSEMBLIES 1/2 INCH THRU 2 INCHES**

DETAIL NO.
2355